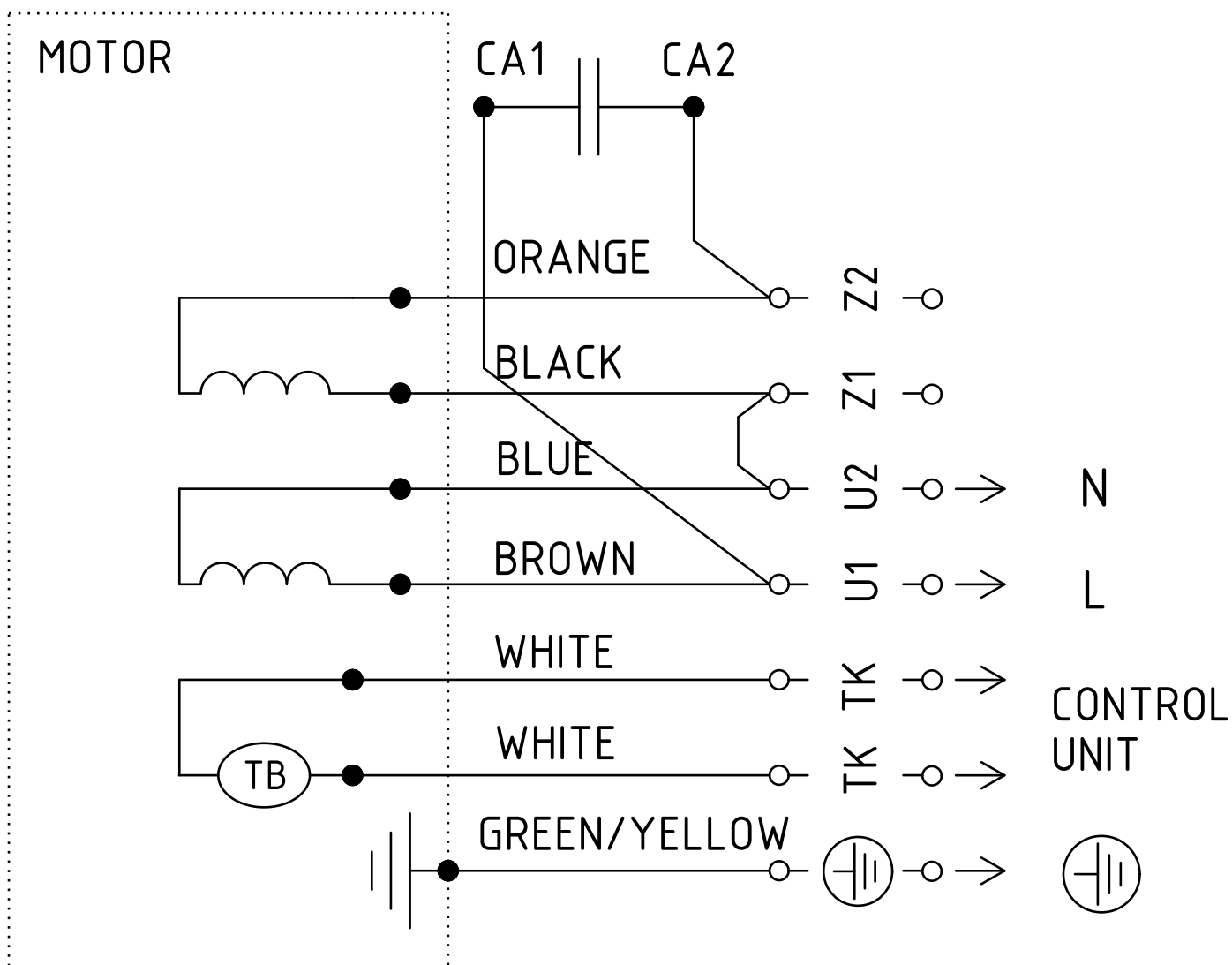


Connecting diagram 0301-1-0029



CONNECTION OPTIONS:

Rotation	L1	N	PE	Protection device	Join together	Winding connection
CW from cable side	U1	U2	PE	TK , TK	[CA1,U1]; [CA2,Z2]; [U2,Z1]	1.ph motor with capacitor and thermal contacts.

* TEMPERATURE MONITORS (TK) BUILT IN TO THE WINDING SERVE AS MOTOR CUT-OUT SWITCH AND MUST BE CONNECTED TO THE OUTSIDE CONTROL UNIT!