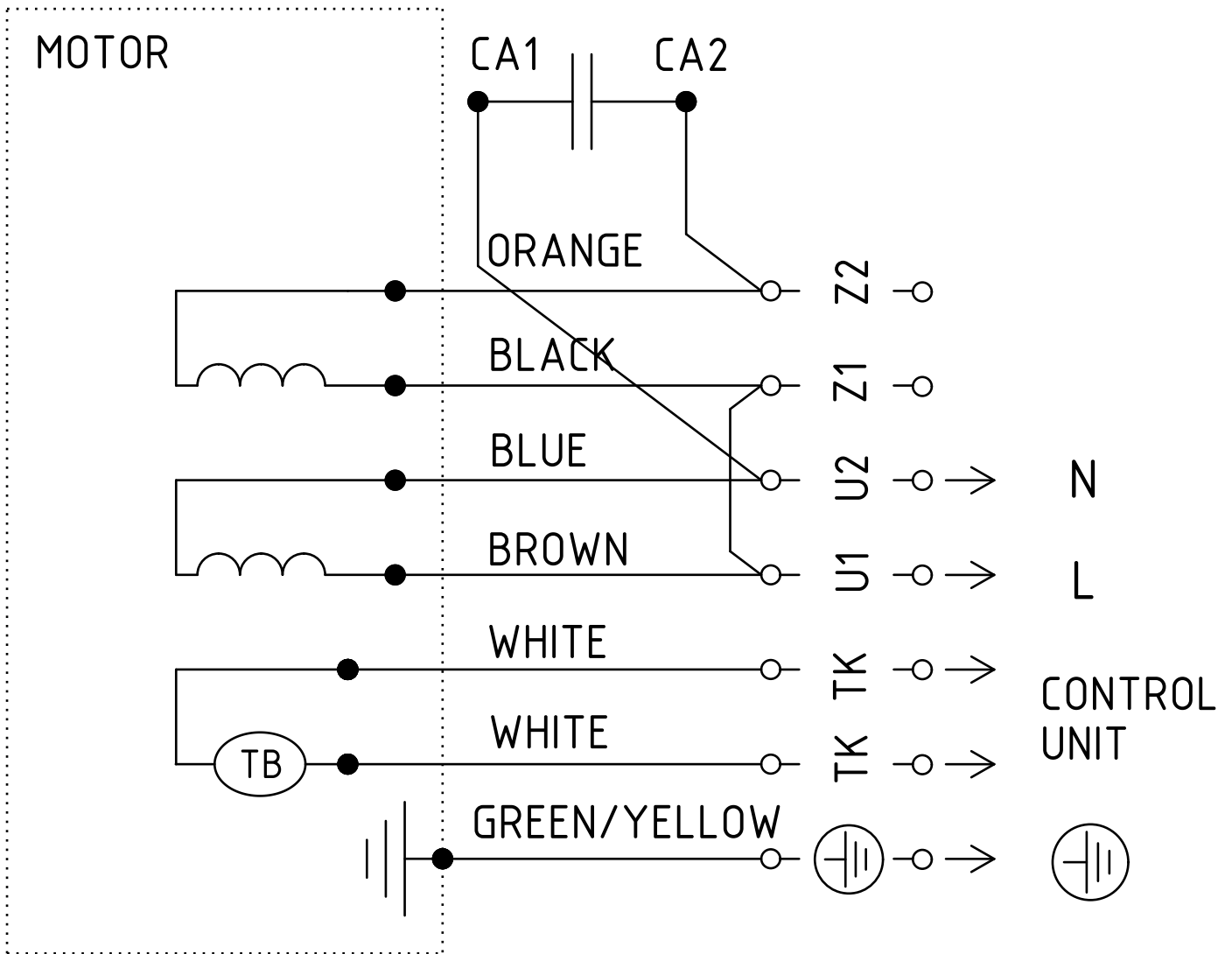


Connecting diagram 0301-1-0035



CONNECTION OPTIONS:

Rotation	L1	N	PE	Protection device	Join together	Winding connection
CCW from cable side	U1	U2	PE	TK , TK	[U1,Z1]; [U2,CA1]; [Z2,CA2]	1.ph motor with capacitor and thermal contacts.

* TEMPERATURE MONITORS (TK) BUILT IN TO THE WINDING SERVE AS MOTOR CUT-OUT SWITCH AND MUST BE CONNECTED TO THE OUTSIDE CONTROL UNIT!