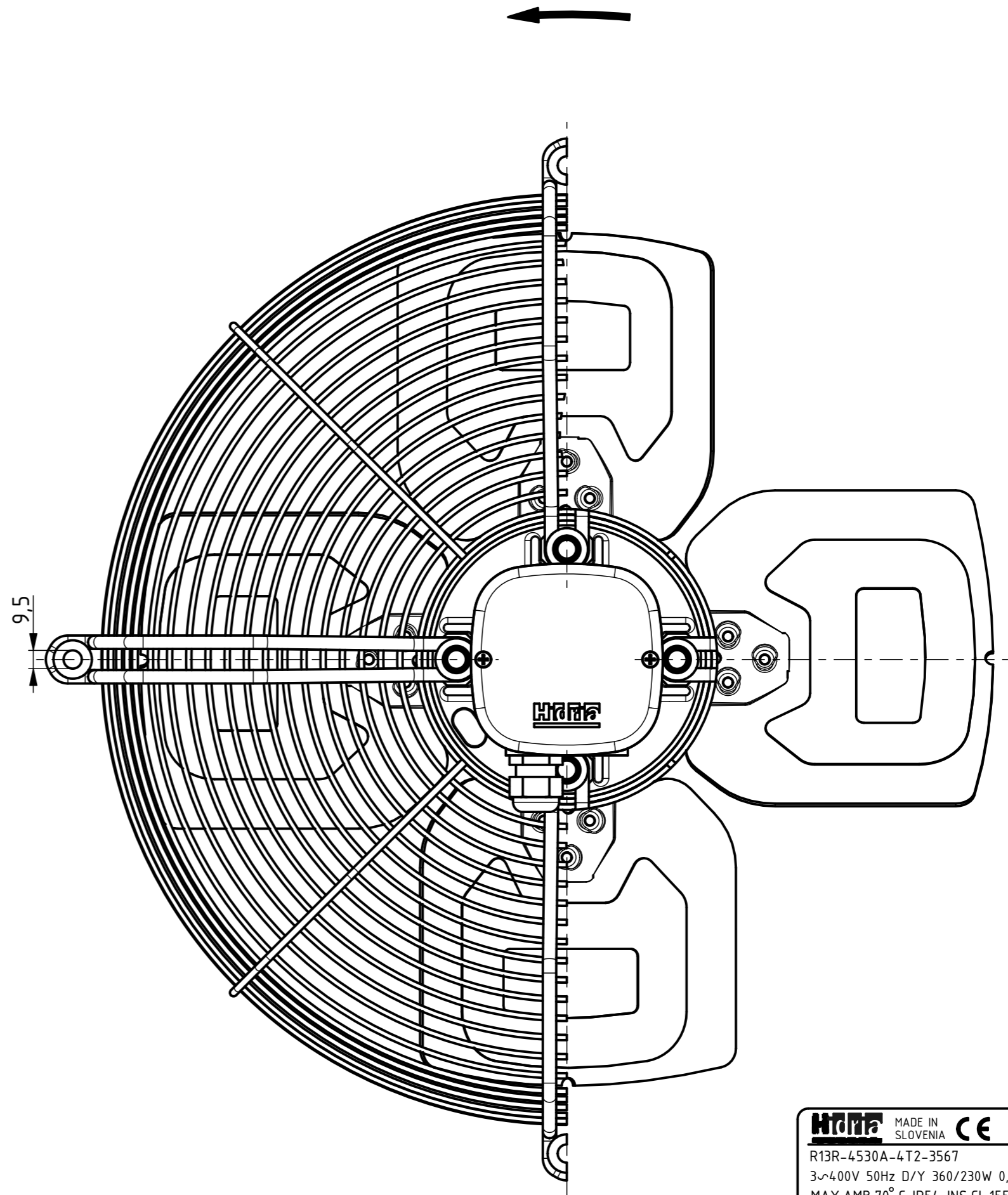
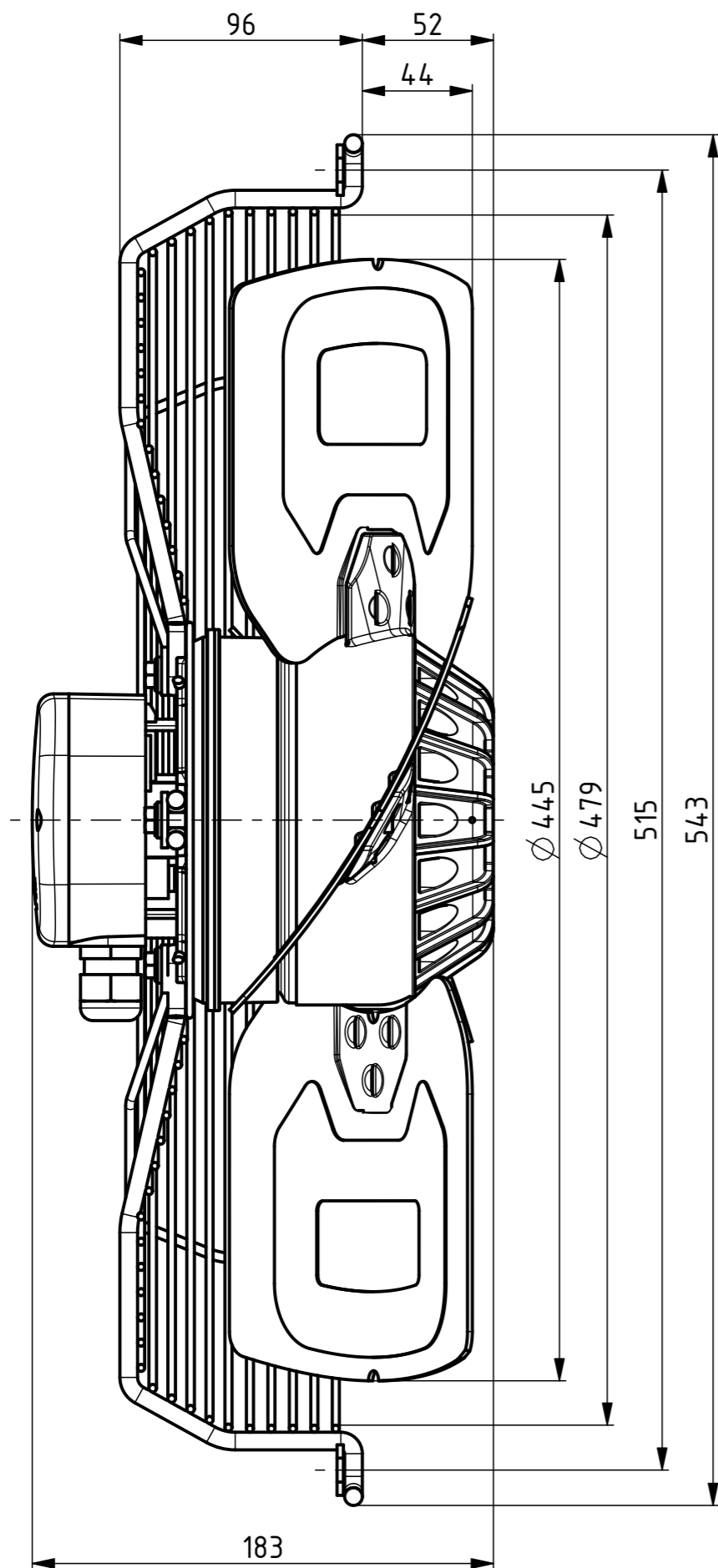


AIRFLOW
DIRECTION



Weight: 8,4kg

HITITE MADE IN SLOVENIA CE	DATE
R13R-4530A-4T2-3567	0313-4-0291
3~400V 50Hz D/Y 360/230W 0,70/0,39A 1350/1100RPM	
MAX.AMB.70° C IP54 INS.CL.155	
TH.PROT.	
ErP: Effes=32,0% (A,static) N=41,0	