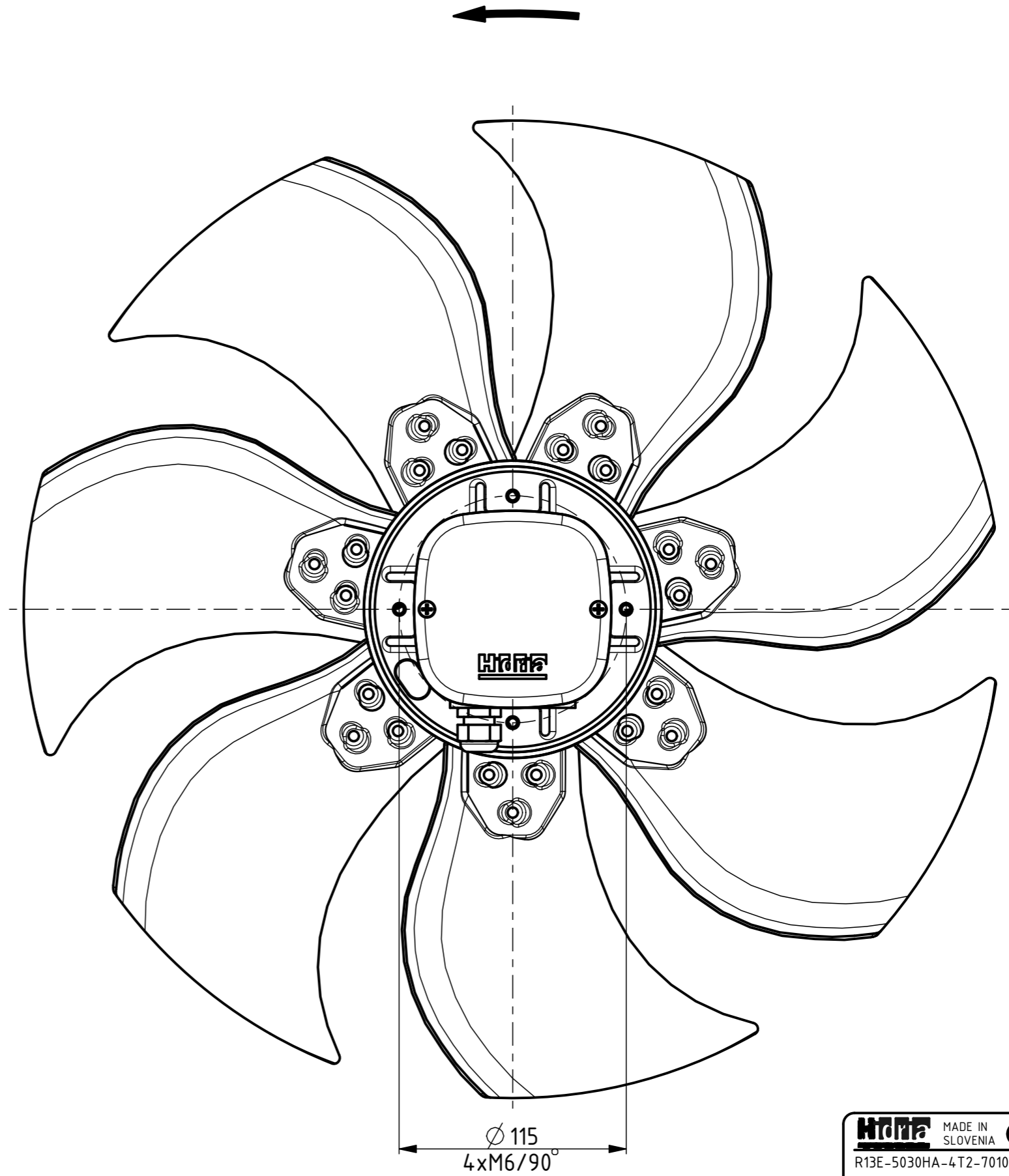
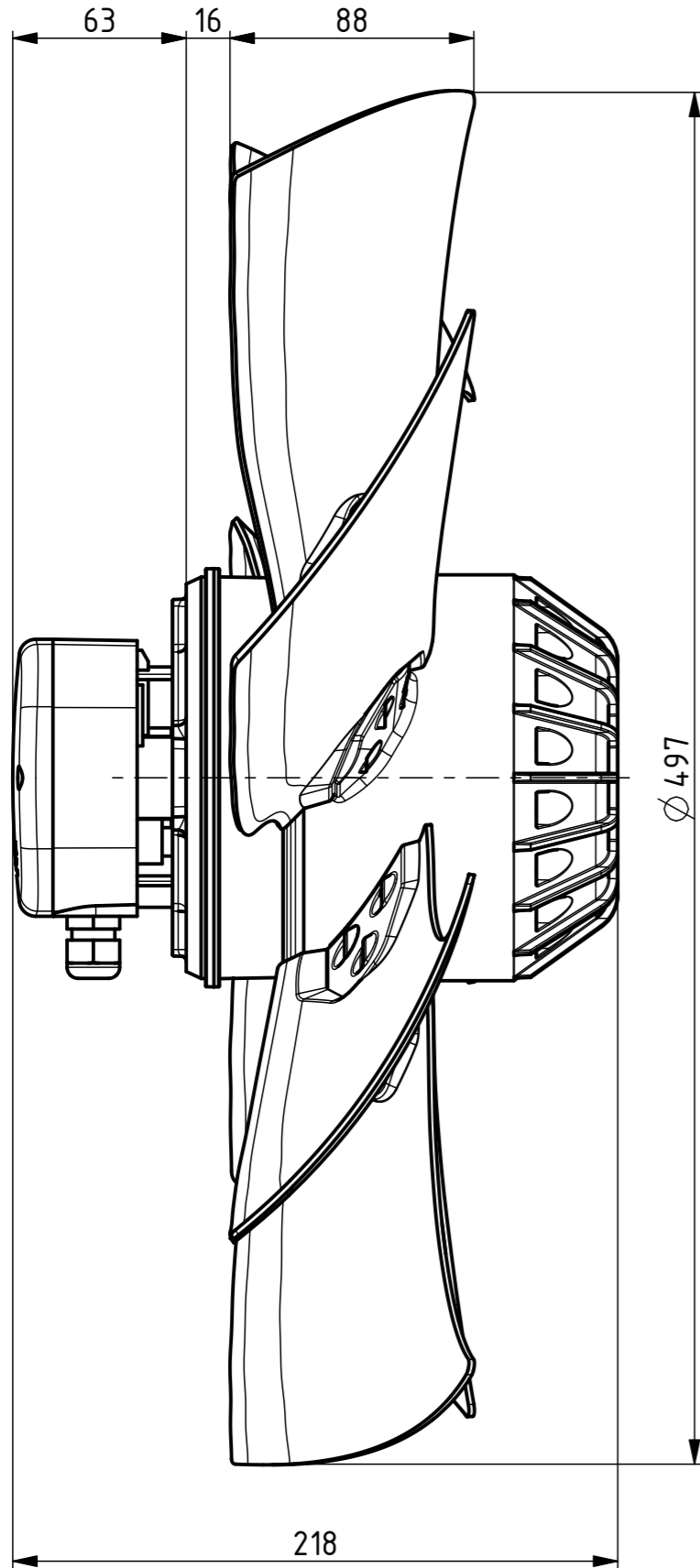




AIRFLOW  
DIRECTION



Weight: 10,1kg

	MADE IN SLOVENIA		DATE
R13E-5030HA-4T2-70101		0313-4-1068	
3~400V 50Hz D/Y 770/590W 1,6/0,96A 1380/1165RPM			
MAX.AMB.55/65° C IP54 INS.CL.155			
TH.PROT.			
ErP: Effes=33,1% (A,static) N=40,2			