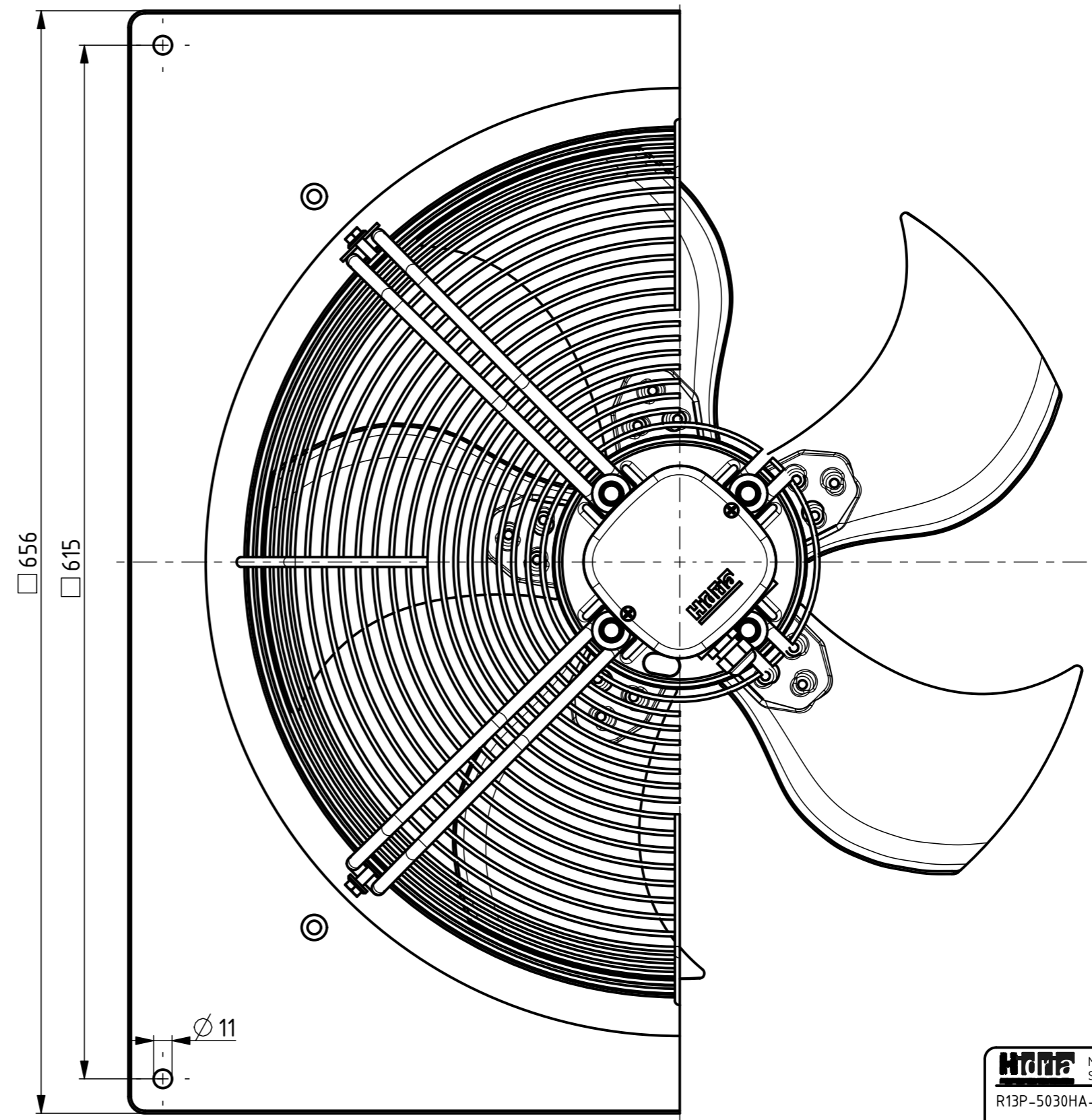
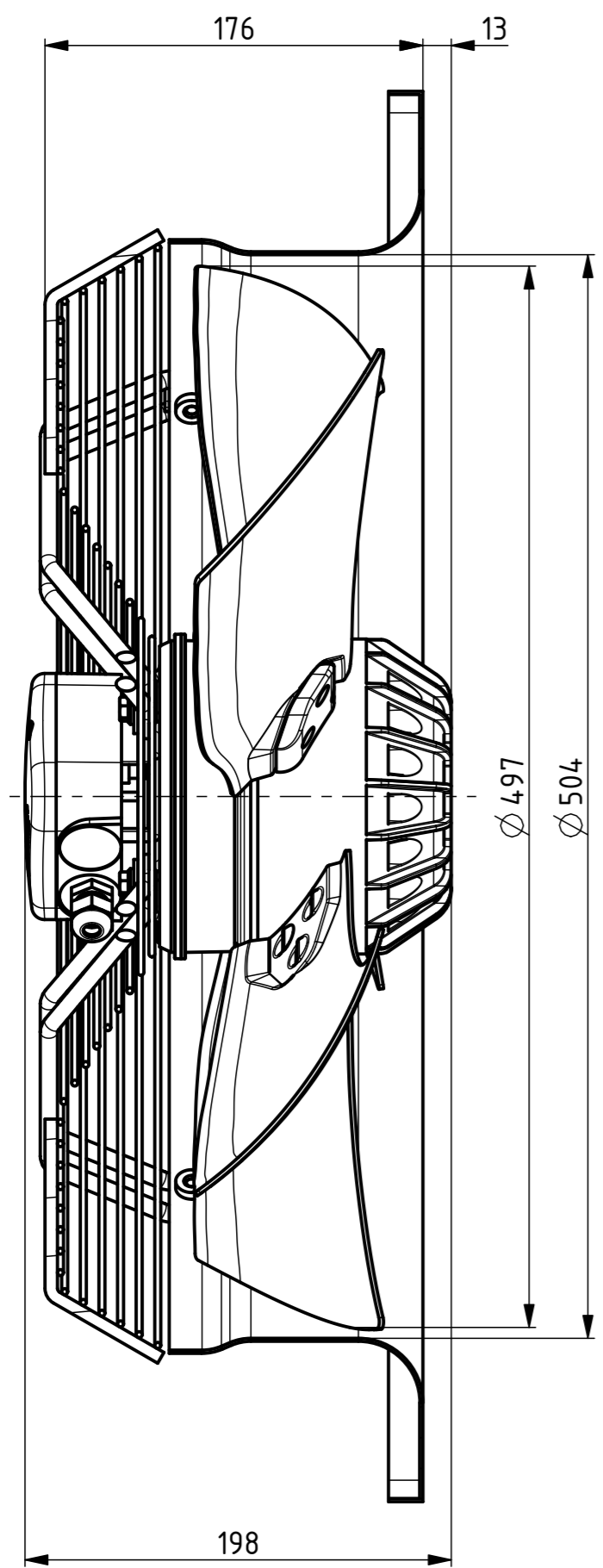


AIRFLOW  
DIRECTION



Weight: 15,8kg

<b>Honda</b> MADE IN SLOVENIA	<b>CE</b>	DATE
R13P-5030HA-6T2-5068		0313-4-1090
3~400V D/Y 50Hz 210/150W 0,60/0,27A 960/880RPM		
MAX.AMB.60° C IP54 INS.CL.155		
TH.PROT.		