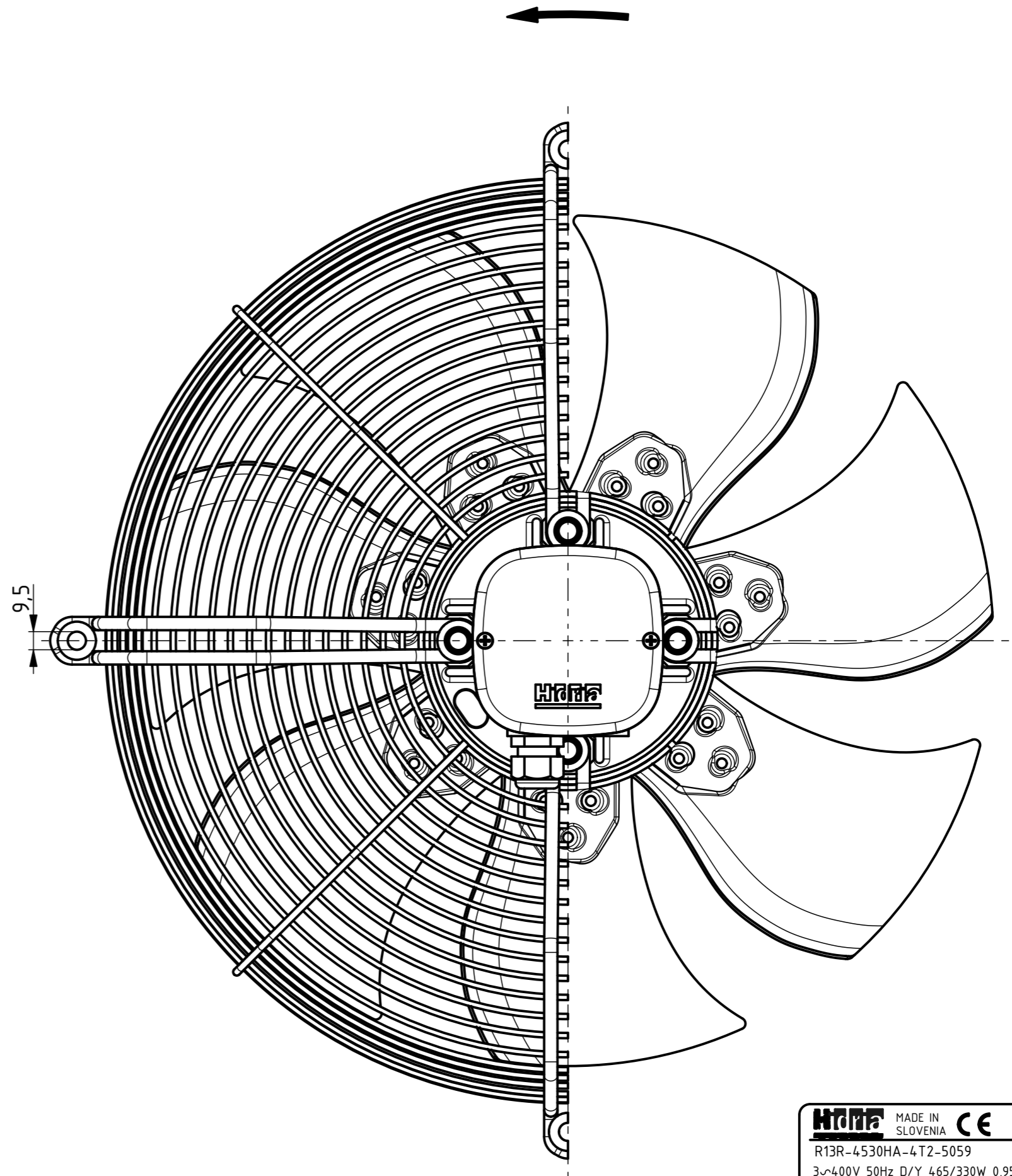
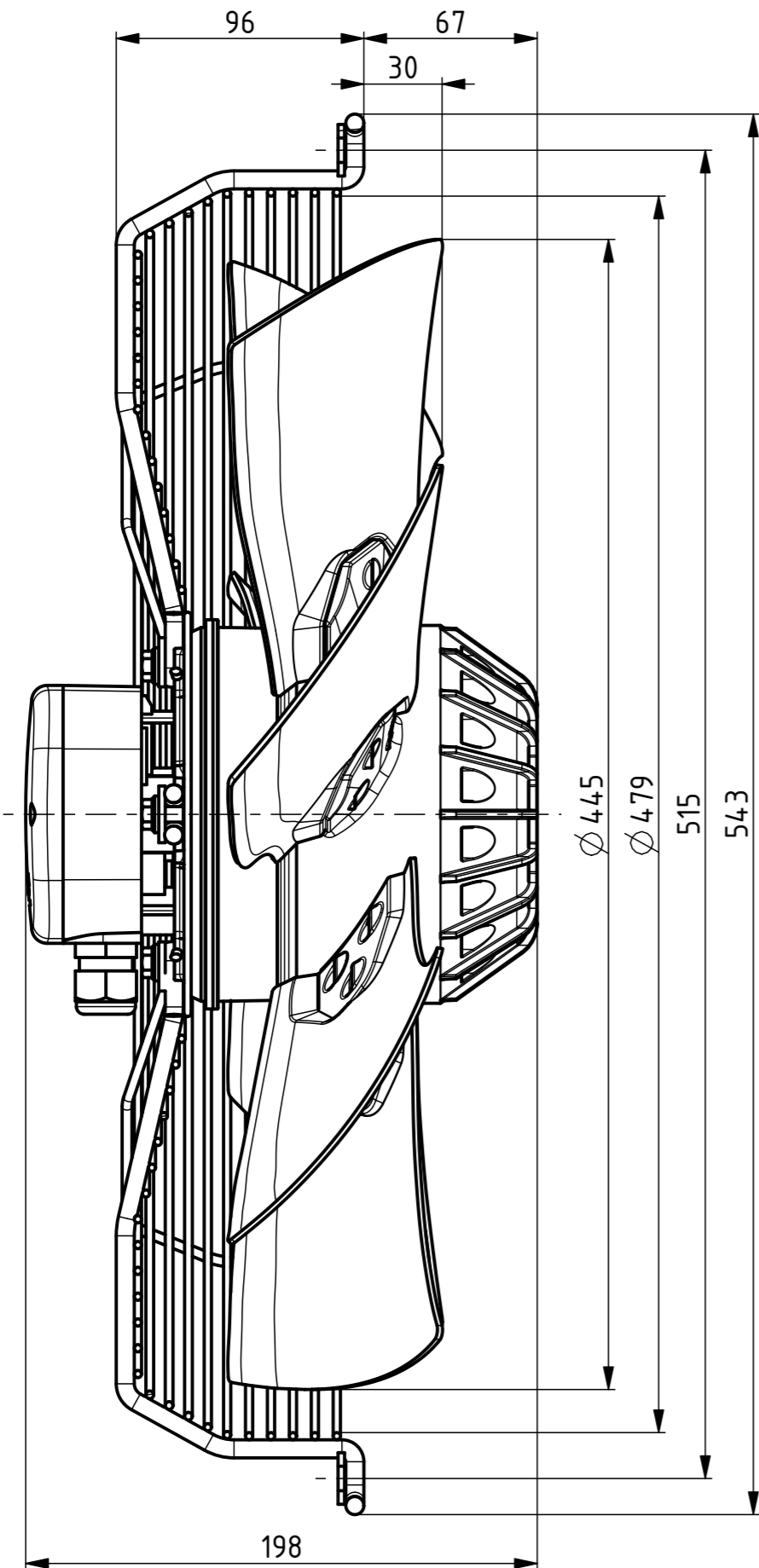


AIRFLOW
DIRECTION



Weight: 11kg

HITDA MADE IN SLOVENIA CE	DATE
R13R-4530HA-4T2-5059	0313-4-1152
3~400V 50Hz D/Y 465/330W 0,95/0,50A 1400/1260RPM	
MAX.AMB:70° C IP54 INS.CL.155	
TH.PROT. ROT.	
ErP: Effes=29,3% (A,static) N=37,5	