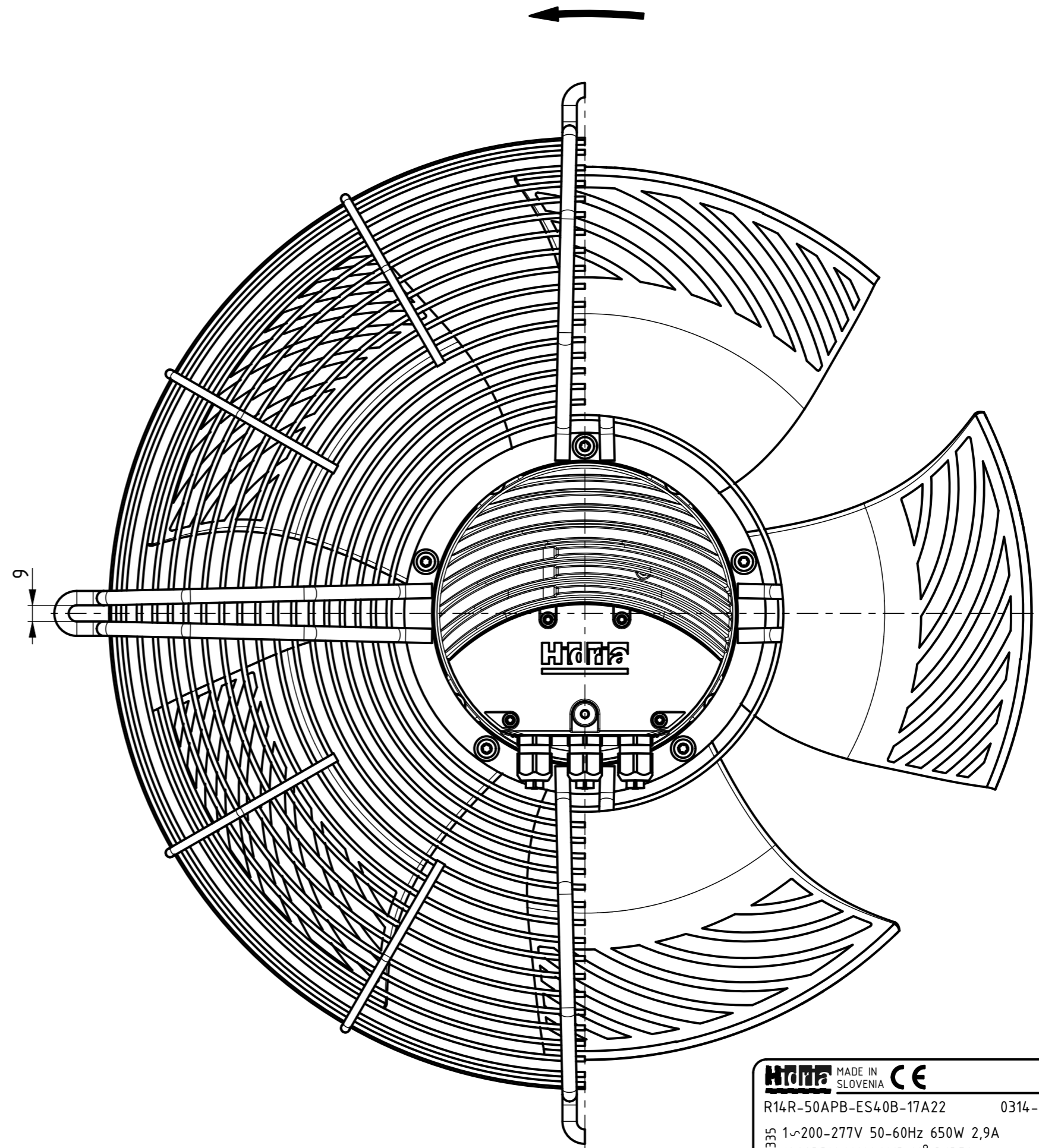
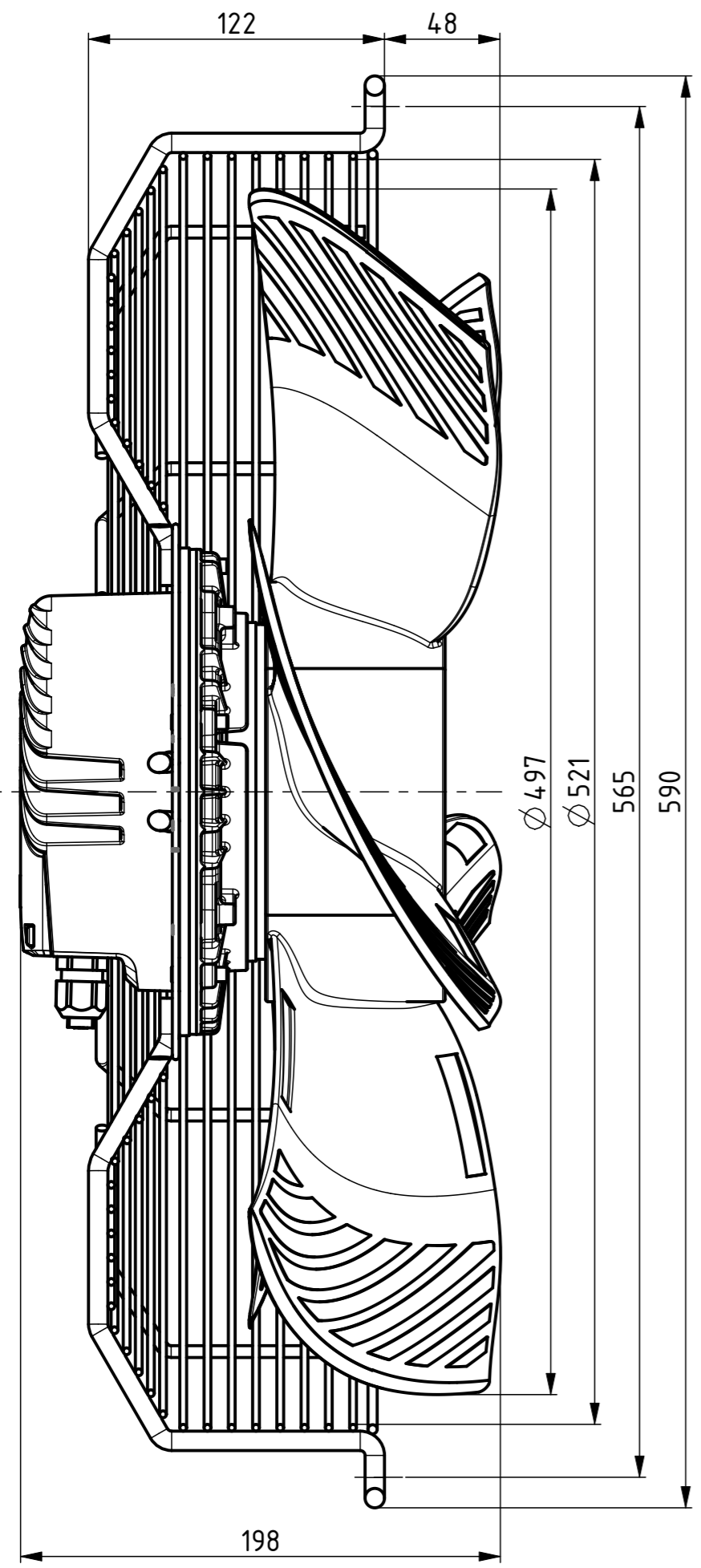


AIRFLOW
DIRECTION



Weight: 11,0kg

	MADE IN SLOVENIA		DATE
	R14R-50APB-ES40B-17A22		0314-4-0041
EN60335	1~200-277V 50-60Hz 650W 2,9A		
	1420RPM MAX.AMB.60° C IP54		
	INS.CL.130 TH.PROT.		
ErP: Effes=46,5% (A,static) N=53,8 VSD integrated			