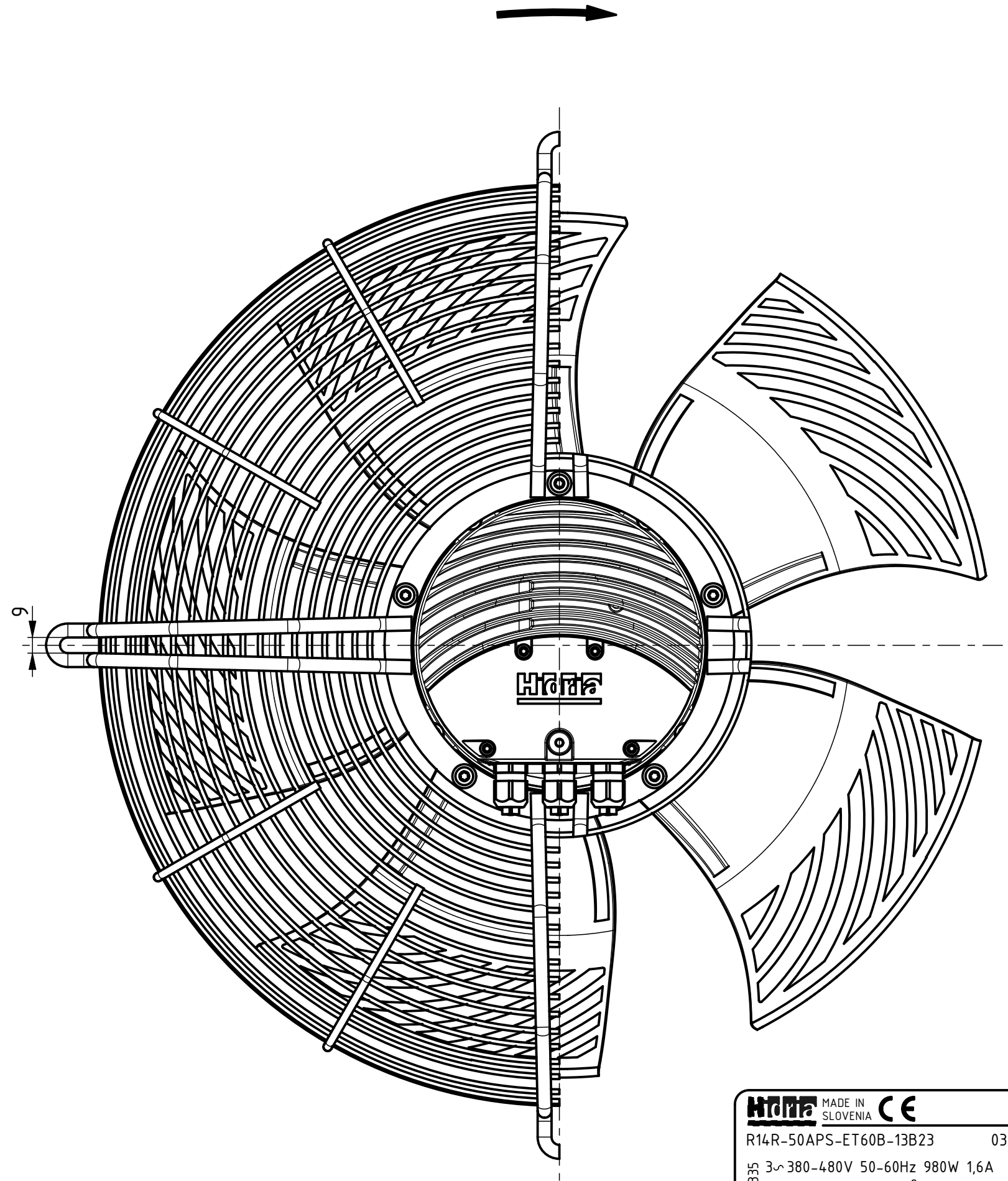
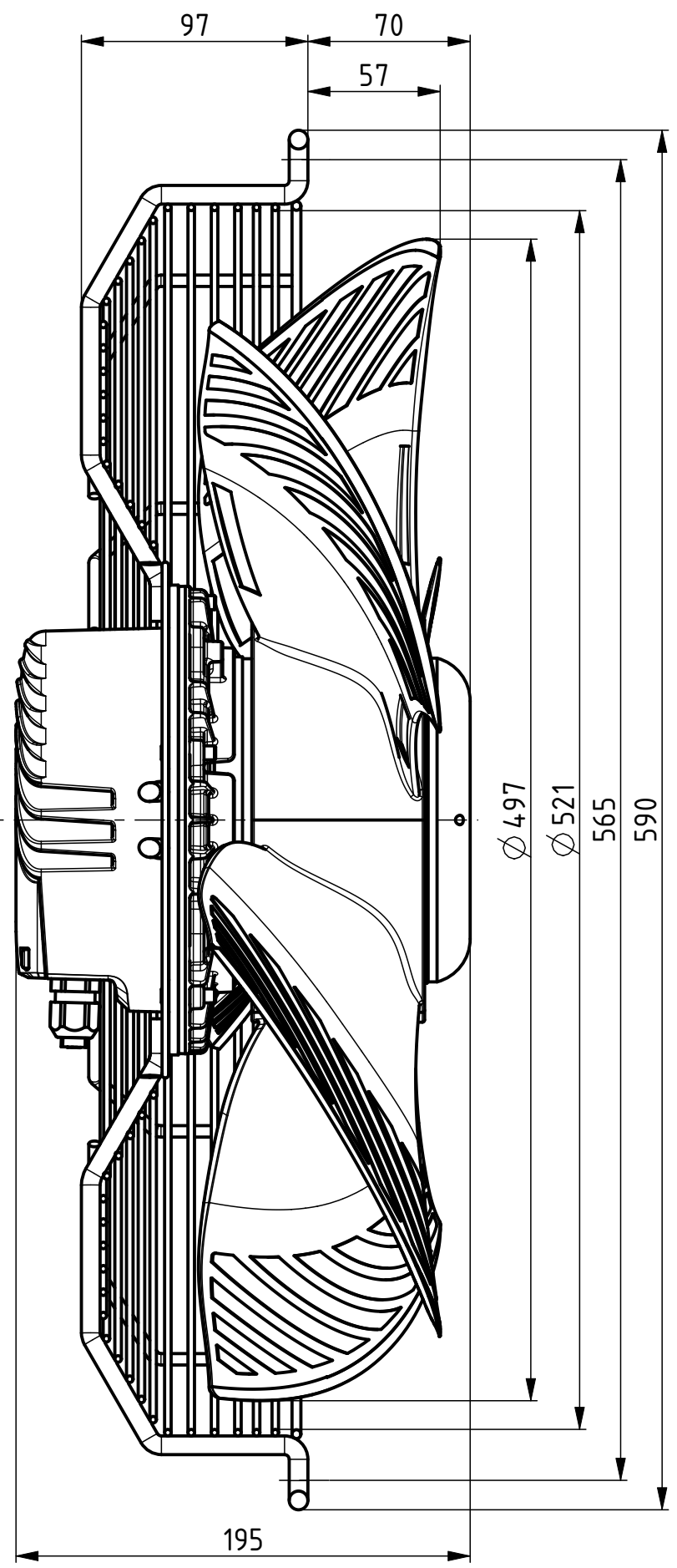


AIRFLOW  
DIRECTION



Weight: 12,6kg

<b>Hidra</b> MADE IN SLOVENIA	<b>CE</b>	DATE
R14R-50APS-ET60B-13B23	0314-4-0043	QR code
3~ 380-480V 50-60Hz 980W 1,6A		
EN60335 1600RPM MAX.AMB.60° C IP54		
INS.CL.130 TH.PROT.		
ErP: Effes=46,9% (A,static) N=53,3 VSD integrated		