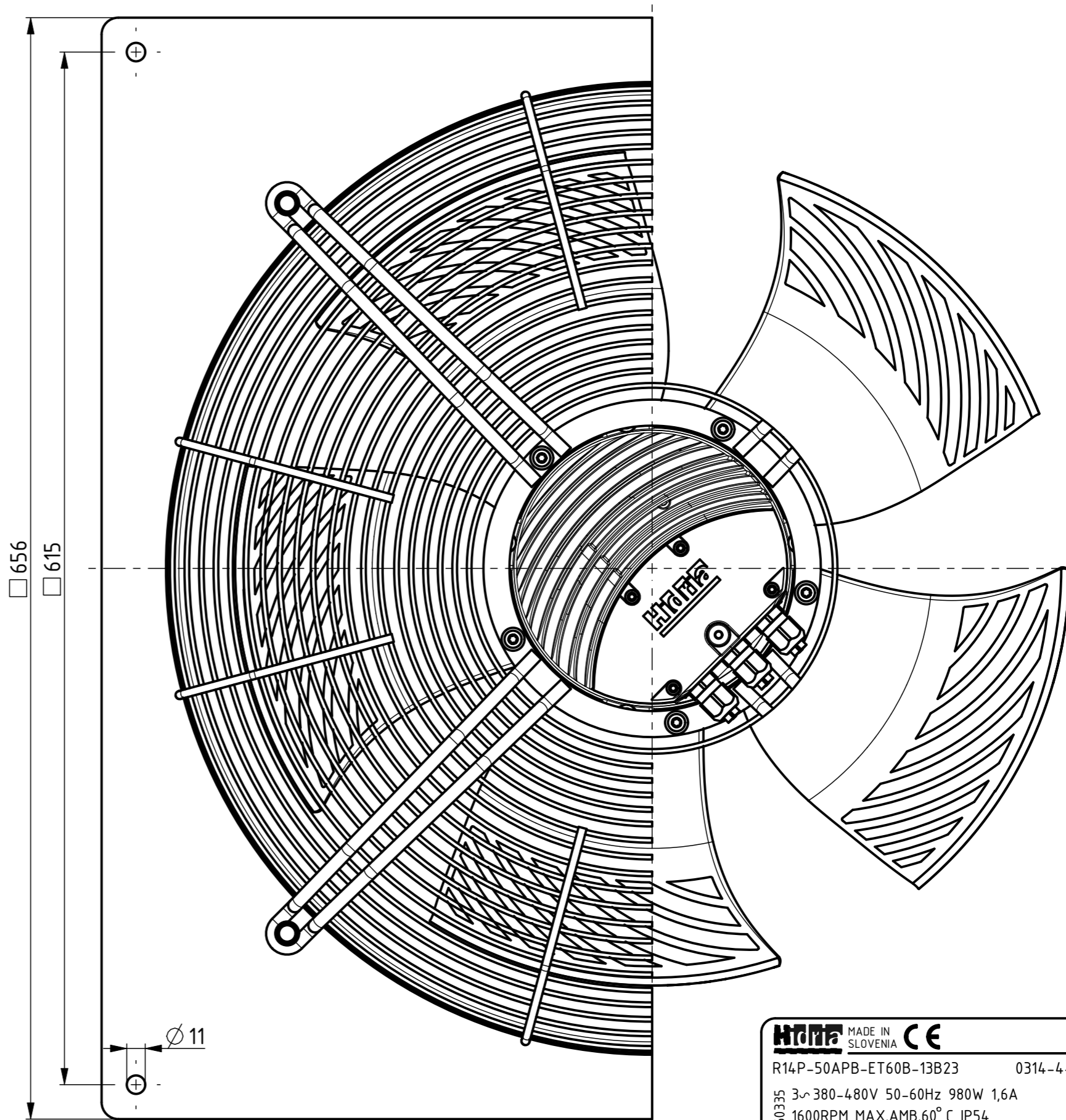
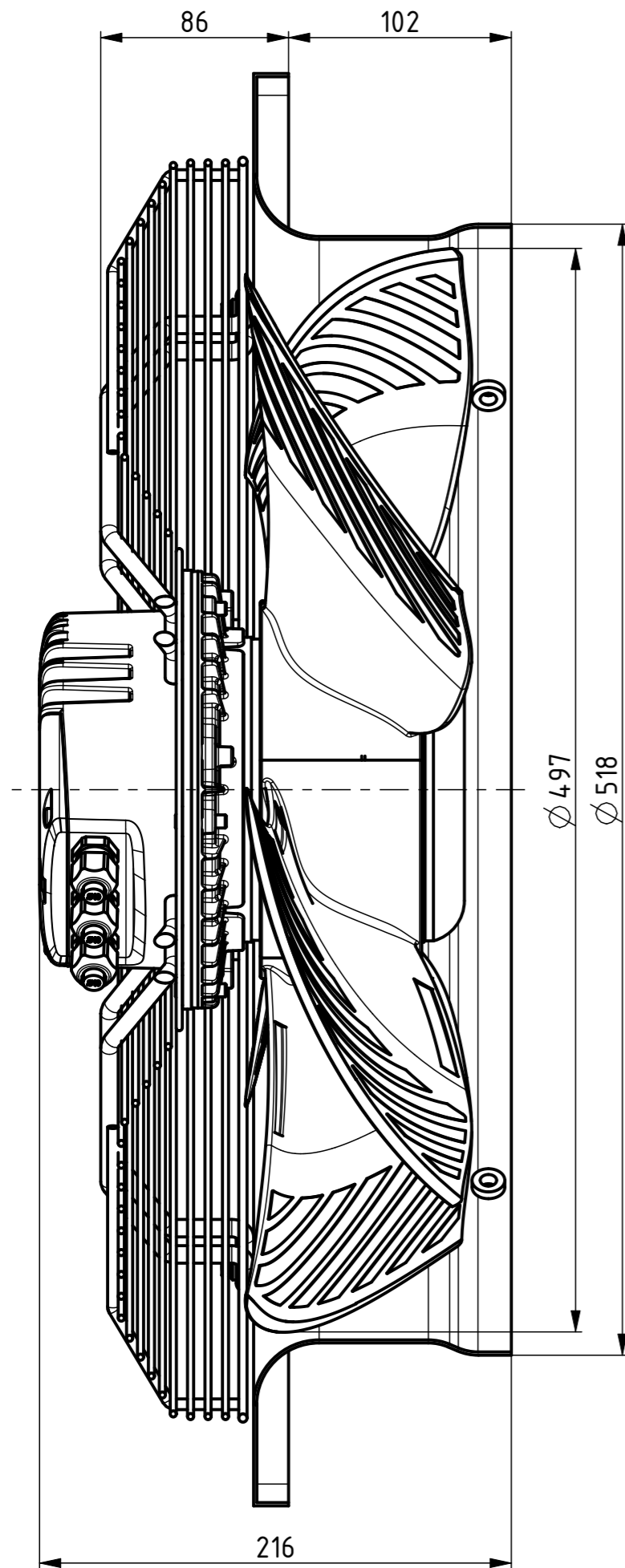


AIRFLOW  
DIRECTION



Weight: 17,3kg

<b>WIMA</b> MADE IN SLOVENIA <b>CE</b>	DATE
R14P-50APB-ET60B-13B23 0314-4-0046	QR code
EN60335 3~ 380-480V 50-60Hz 980W 1,6A	
1600RPM MAX.AMB.60° C IP54	
INS.CL.130 TH.PROT.	
ErP: Effes=46,9% (A,static) N=53,3 VSD integrated	