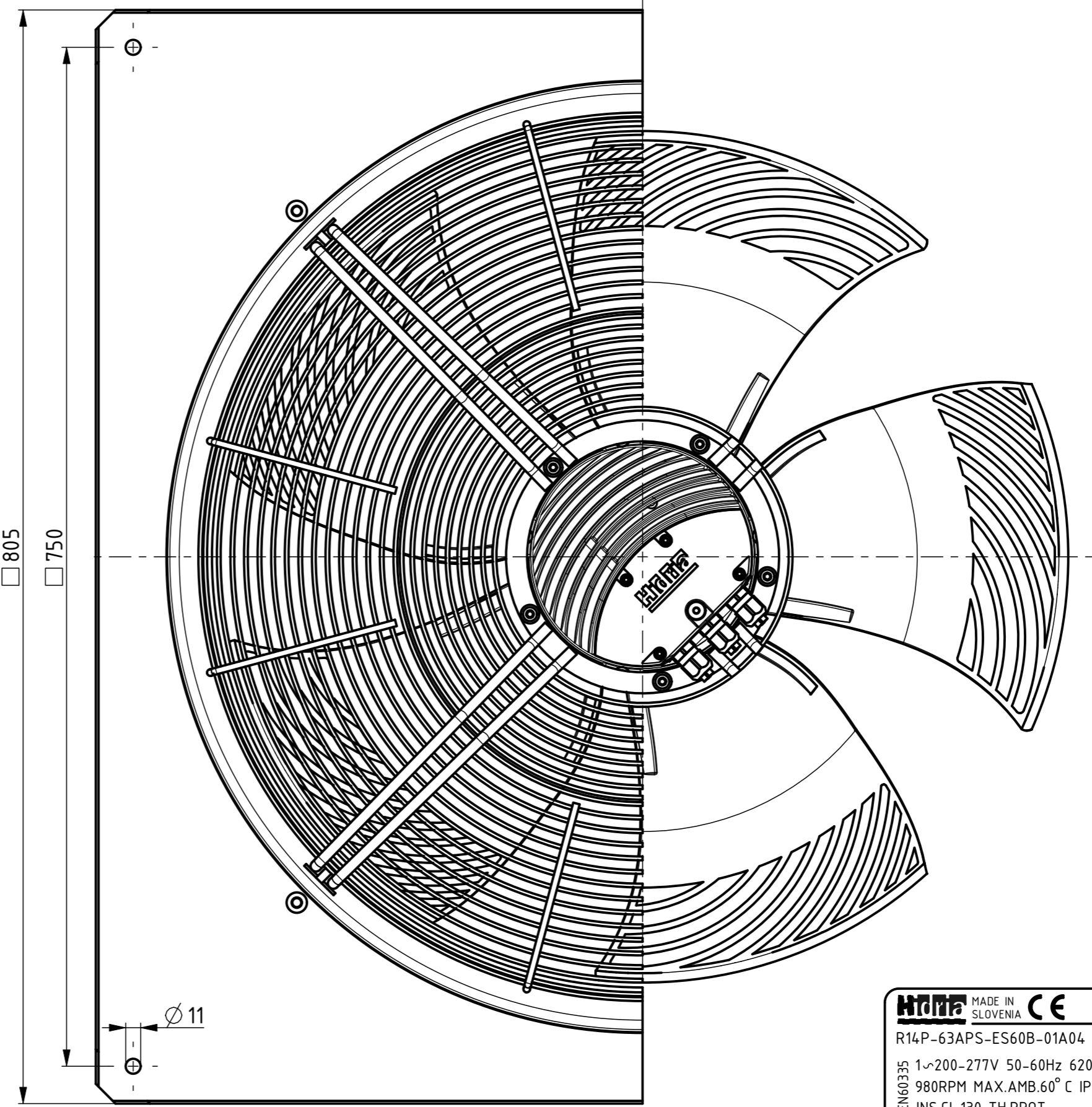
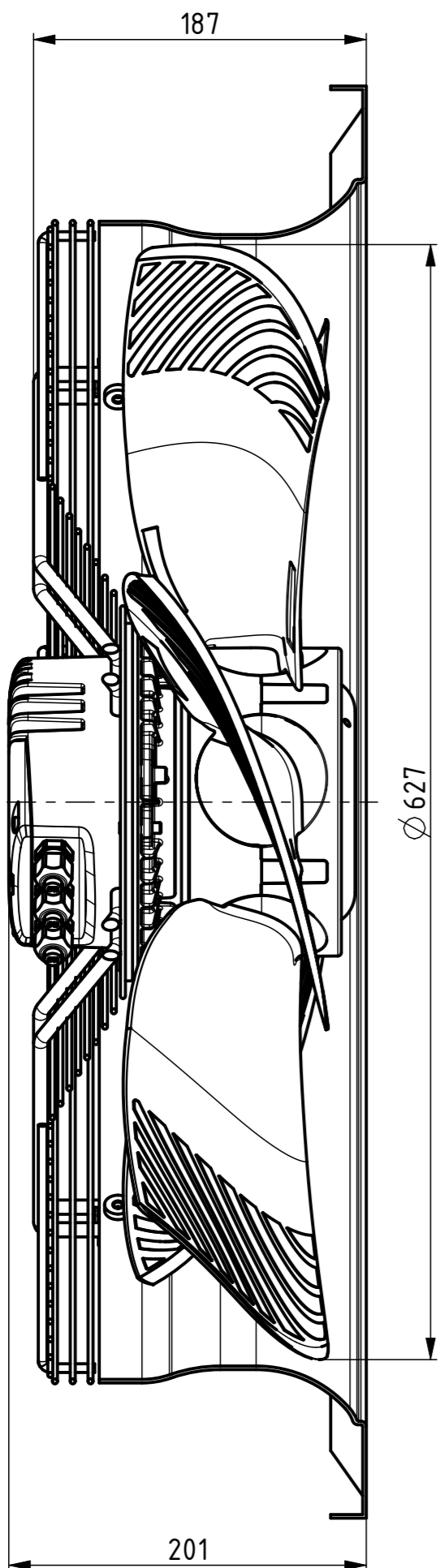


AIRFLOW
DIRECTION



Weight: 23,1kg

	MADE IN SLOVENIA		DATE
	R14P-63APS-ES60B-01A04		0314-4-0048
1~200-277V 50-60Hz 620W 2,7A 980RPM MAX.AMB.60° C IP54 INS.CL.130 TH.PROT.			
ErP: Effes=48% (A,static) N=55,6 VSD integrated			