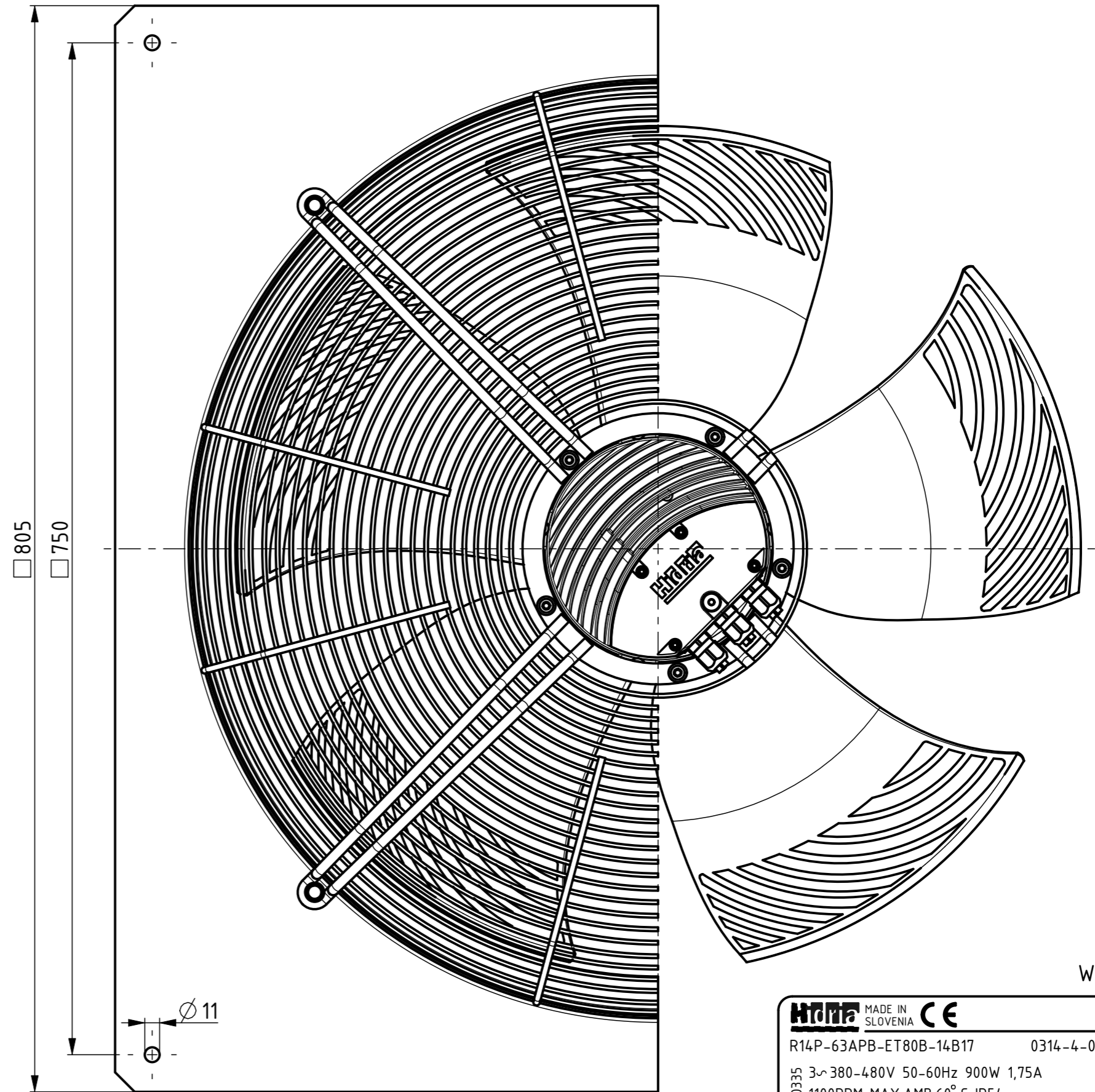
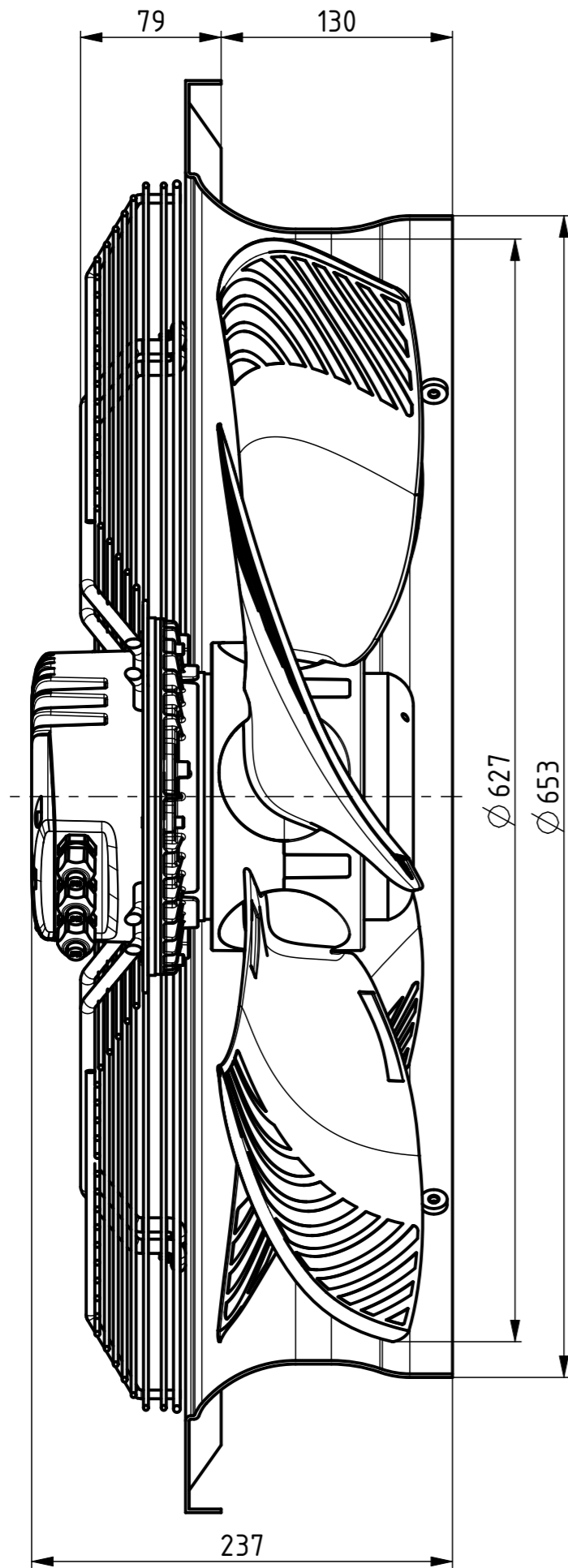


AIRFLOW
DIRECTION



Weight: 24,6kg

honda MADE IN SLOVENIA	CE	DATE
R14P-63APB-ET80B-14B17	0314-4-0054	QR code
EN60335 3~380-480V 50-60Hz 900W 1,75A		
1100RPM MAX.AMB.60° C IP54		
INS.CL.130 TH.PROT.		
ErP: Effes=49,2% (A,static) N=55,7 VSD integrated		